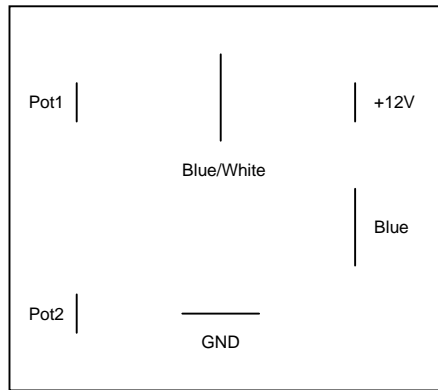
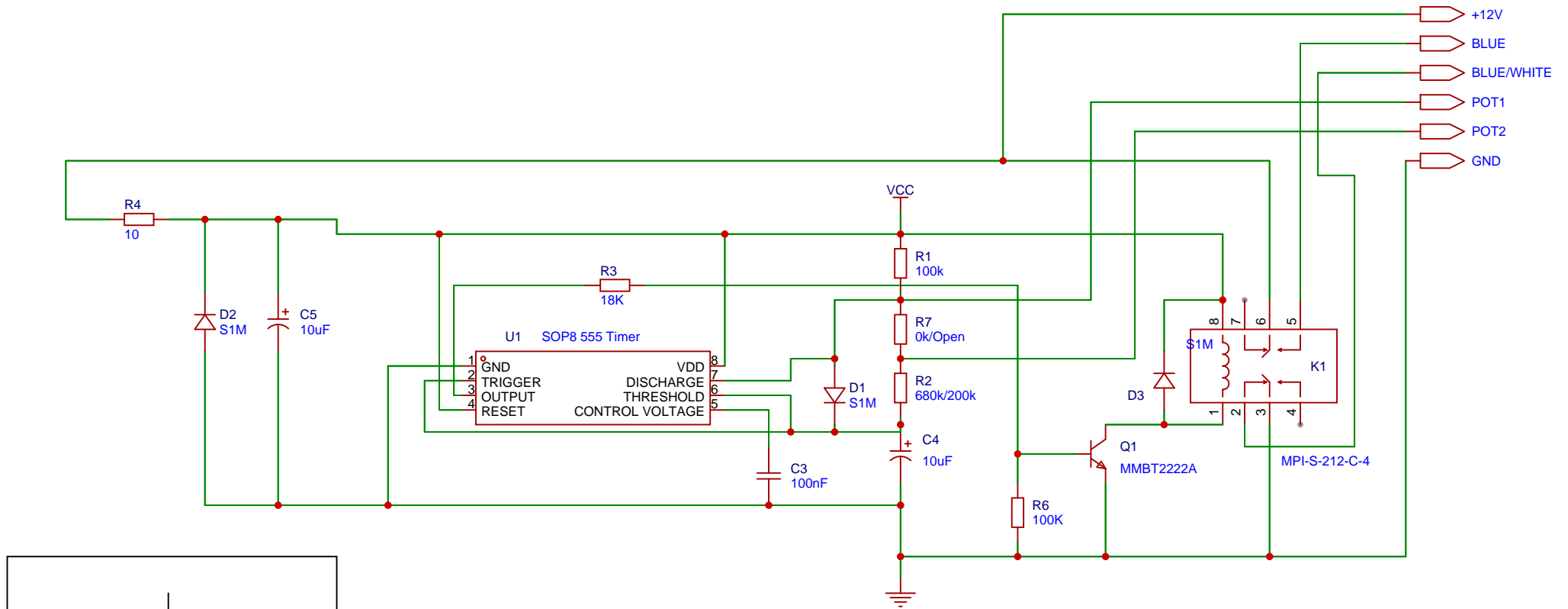


Notes:

- 1) R2 and R7 vary according to if the external variable resistor is used.
Current values R2 200K, Pot 500K, R7 Open.



Schematic	Schematic2		Create at	2025-11-02
Board	Board2		Update at	2025-11-22
Drawn			Page	P1
Reviewed			Wiper Relay	
	Version	Size	Page 1 Total 1	
		V1.1	A4	Ashlyn Computer Services